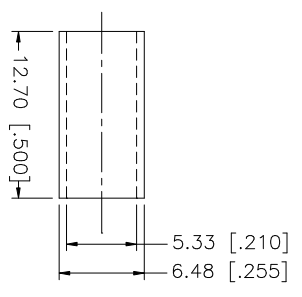
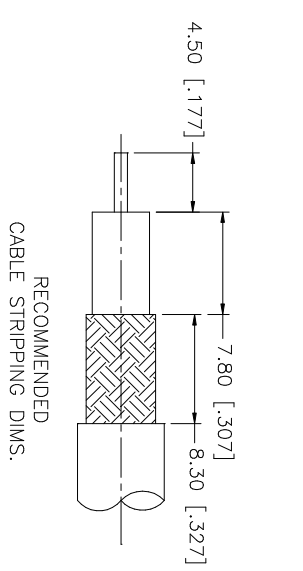
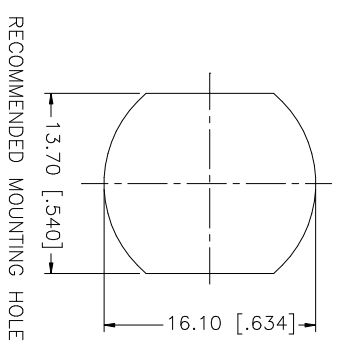
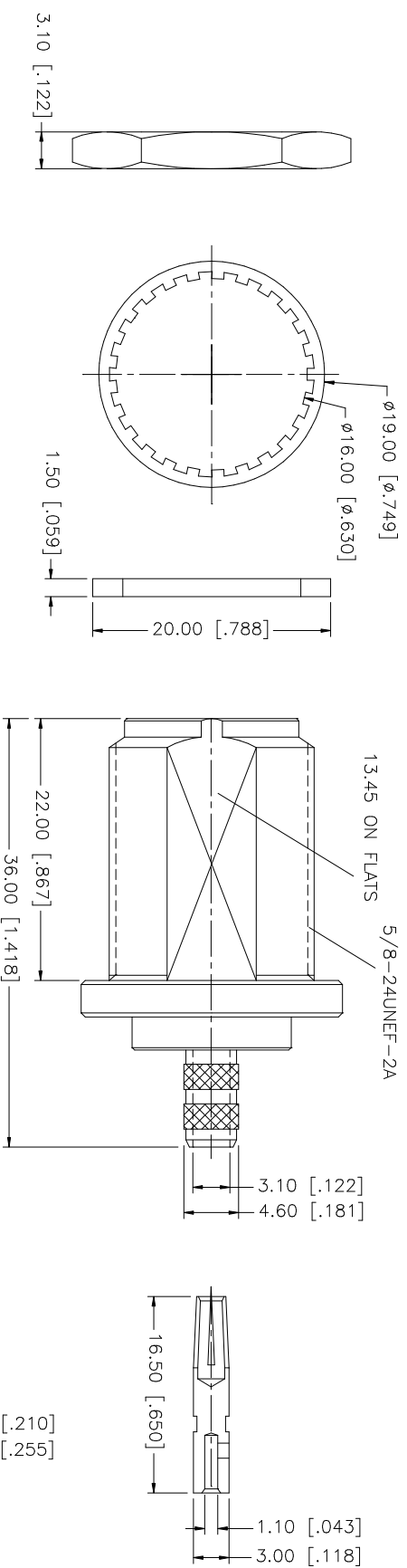


REV.	DATE	DESCRIPTION
A	06/05/03	UPDATE DRAWING FORMAT



- NOTE:
1. CRIMPED FERRULE  
HEX CRIMP SIZE :.213"
  2. CRIMPED CONTACT PIN  
HEX CRIMP SIZE :.100"

8	7	6	5	4	3	2	1																																			
FERRULE	COPPER	NEXCOTE	1	GASKET	SILICONE	RED	1	HEX NUT	BRASS	NEXCOTE	1	LOOK WASHER	BRASS	NEXCOTE	1	CONTACT PIN	PHOS. BRONZE	GOLD	1	INSULATOR	TEFLON	NATURAL	1	BODY	BRASS	NEXCOTE	1	DESCRIPTION	MATERIAL	FINISH	QTY	DO NOT SCALE DRAWING	CAD FILE	APPROVALS	DATE	DWG. NO.	REV.	NC	SIZE	A	SCALE	NA
UNLESS OTHERWISE SPECIFIED DIMENSIONS ARE IN MILLIMETERS DIMENSIONS IN [ ] ARE IN INCHES AND FOR CUSTOMER REFERENCE ONLY.										UNLESS OTHERWISE SPECIFIED TOLERANCES FOR MILLIMETERS ARE:										UNLESS OTHERWISE SPECIFIED TOLERANCES FOR INCHES ARE:																						
										0.5 - 8mm ± 0.20mm										.020 - .315 = ± 0.007"																						
										8 - 30mm ± 0.40mm										.315 - 1.180 = ± 0.015"																						
										30 - 120mm ± 0.50mm										1.180 - 4.724 = ± 0.020"																						
										UNLESS OTHERWISE SPECIFIED TOLERANCES FOR INCHES ARE:																																
										DRAWN										G.R.S.										06/05/03												
										CHECKED																																
										ISSUED																																
										SHEET										1 OF 1																						
										PART NO.										1721076																						
										PART DESCRIPTION										N BULKHEAD CRIMP JACK																						
										C:/172/172106.DWG																																

**Amphenol** **Comnex**